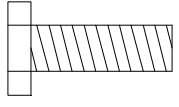
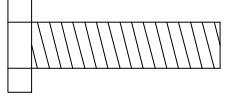
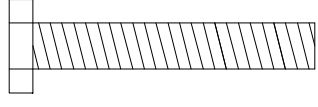
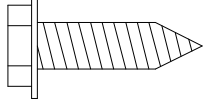
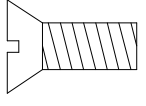
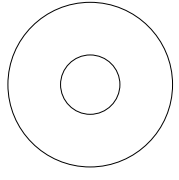
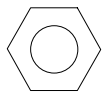
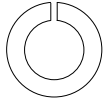
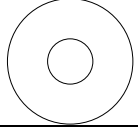


Assembly Instructions for 4'x 4' Trophy Blinds

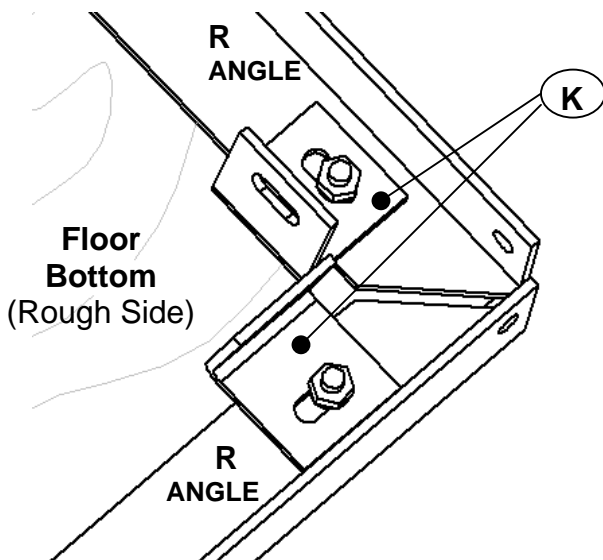
Hardware		Qty
	1/4"x3/4" Bolt	54
	1/4"x1" Bolt	12
	1/4"x1 1/2" Bolt	13
	#1/4x20x7/8" Sheet Metal Screw w/ 3/8" Hex Head	21
	1/4"x3/4" Flathead Stove Bolt	7
	Nylon Spacer 17W08757	2
	1/4" Nut	108
	1/4" Lock Washer	108
	1/4" Flat Washer	12
60D Nail (for use as a drift pin to line-up holes)		1

Parts List		
Item	Description	Qty
DB BOX (4'Square x 4" Tall)		
A	Lower Side Panels	3
B	Lower Side Panel on Door Side	1
C	Top Side Panels	4
D	Door Panel	1
E	Wood Window Panels	4
PLEX	Plexiglas Window Panels	4
F	3/4" Plywood Floor	1
G	Galvanized Roof	1
R	1 1/2" Angle Floor Frames	4
T	1" Angle Door Jamb	1
V	3/4" Angle Roof Brace	1
Y	3/4" Angle Door Rib	1
Z	1 1/2" Flat Guide at Base of Door	1
DB-AL BOX (6 1/2' Long)		
S	Extruded Aluminum Angle Corner Posts	4
W	Aluminum Door Guide	1
XB	Bottom Aluminum Window Guides	4
XT	Top Aluminum Window Guides	4
Recommended Tools		
3/8" Wrench (open or box)		
7/16" Wrench (open or box)		
3/8" Deep Socket		
7/16" Deep Socket		
Cordless Drill with Socket Driver		
Note: 1/2" Wrench/Socket needed for Legs & Towers		

General Instructions:

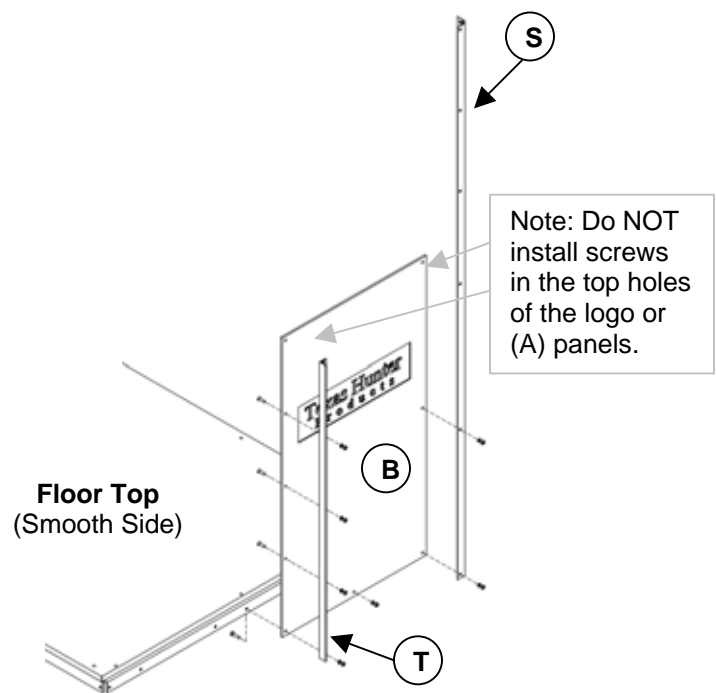
- Open the DB box and unpack parts. Note the roof can be used as a tray to sort the nuts and bolts. Separate the three different $\frac{1}{4}$ " bolts by length ($1\frac{1}{2}$ ", 1" and $\frac{3}{4}$ ").
- The large nail can be used to your advantage by placing it through holes in panels and/or corner posts to help hold them in place when installing nuts and bolts.
- With the exception of installing the angle iron to the floor in steps 1 and 2, **DO NOT TIGHTEN ANY OTHER BOLTS UNTIL ASSEMBLY IS COMPLETE.**
- Always use lock washers unless otherwise specified.
- Insert all bolts so nuts are on the outside of the blind.

- 1** Elevate the floor 2 to 3 feet off the ground with the bottom (rough side) facing up. Note: Set the floor on a sturdy object (cooler, barrel, table, tailgate, etc...). Position the 4 (R) angles around the edge of the floor. (Use the large nail to route-out any holes that are not completely clear).



- 2** The notched edges of the floor go in the back corners opposite the door. The pre-drilled holes in the floor will cause one (R) angle to extend $\frac{1}{2}$ " past the floor edge on the door end only, the other three angles will mount flush with the side of the floor. **Ground Blinds:** Retrieve the (4) 18" Legs and instructions from the leg box. **Tower Blinds:** Retrieve the (8) tower clips (K) from the tower box and attach to the corners when installing the R angles as shown above. Tighten all floor bolts securely. Use the longest ($1\frac{1}{2}$ ") bolts with lock washers and flat washers. The flat washers should contact the top of the floor. Install all four (R) angles and tighten all bolts.

- 3** Turn Floor over so smooth side is facing up, and (R) angles are facing down. Attach angle door jamb (T) to exterior of logo panel (B) using the $\frac{1}{4}$ " x $\frac{3}{4}$ " flathead STOVE BOLTS. Only install the three middle bolts, just over hand-tight – do not over-tighten. Next, attach the logo panel to the floor angle and then the corner post to the right of the logo panel. *Hint:* Temporarily insert the nail through the bottom left hole of the logo panel and floor angle to help hold it in place while installing the other nuts and bolts. All panels slide into the grooves of the corner posts. All corner posts are marked with UP \uparrow arrows. Use the 1" long bolts where corner posts attach, and use the shorter $\frac{3}{4}$ " bolts elsewhere.

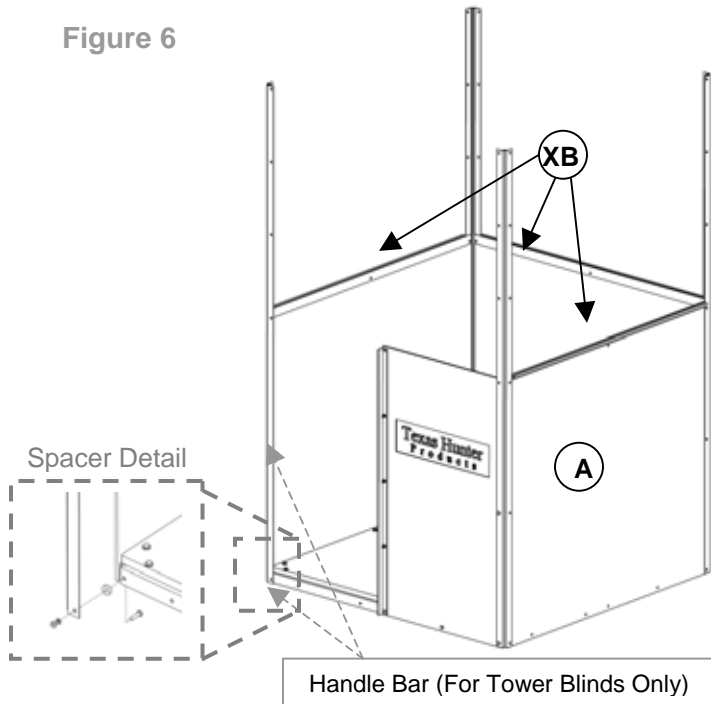


- 4** (See Fig. 6 next page) Attach the first (A) panel (largest panel) to the right of the corner post. (Turn panels until holes line-up). *Hint:* Insert the nail through the top left hole of the panel and the corner post. This helps hold the panel in place while installing the bolts along the bottom of the panel. Install all but the top bolts in each panel. Work your way around the blind, installing all (A) panels and all but the last corner post.

- 5** **Install the last corner post** (left of door) by inserting a $\frac{1}{4}$ " round white spacer between the corner post and angle iron (bottom hole). **For blinds with towers**, retrieve handle bar from tower box and install onto corner post. See Figure 6

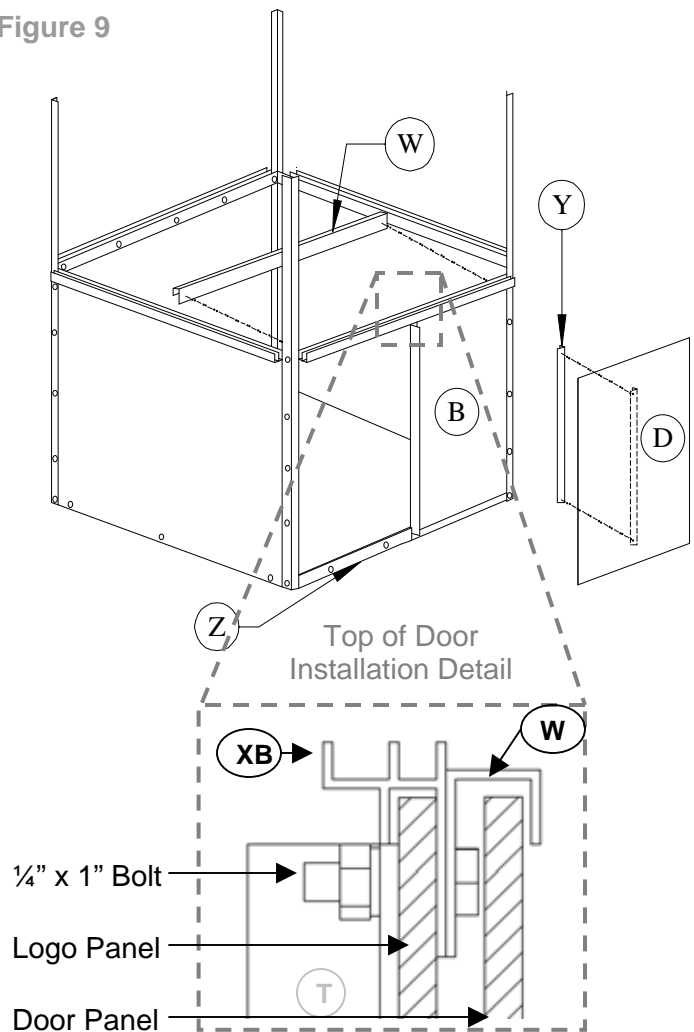
- 6** Attach bottom window guides (XB) to the top of each (A) panel {all but the door side}.

Figure 6

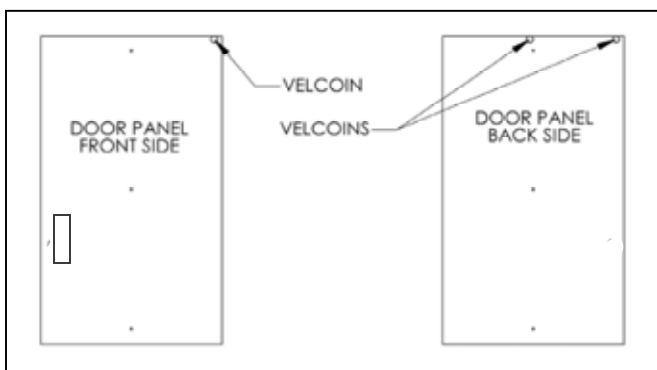


- 9** Set the outside track of the last bottom window guide (XB) over the top of the logo panel (B). Position the door panel (D) in the floor recess groove inside the blind. Insert a 1/4" x 1" bolt through the inside middle hole of the door guide (W). Place the door guide (W) over the top of the door panel (D). Note: the door panel will fit in the track, between the bolt head and the back of the door guide (W) See Door Detail Below. Next, push the bolt through the inside center hole of the bottom window guide (XB) and then through the top of the door rib (T). Secure with a nut and lock washer. The door should now slide in the tracks.

Figure 9



- 7** Install the round Velcoins on the Door (D). Place 1 Velcoin on the top edge of the front (side with handle slot), one inch from the right-hand side. *Back:* Place 1 Velcoin along the top edge at the upper right corner, and 1 along the top edge centered above the countersunk holes.

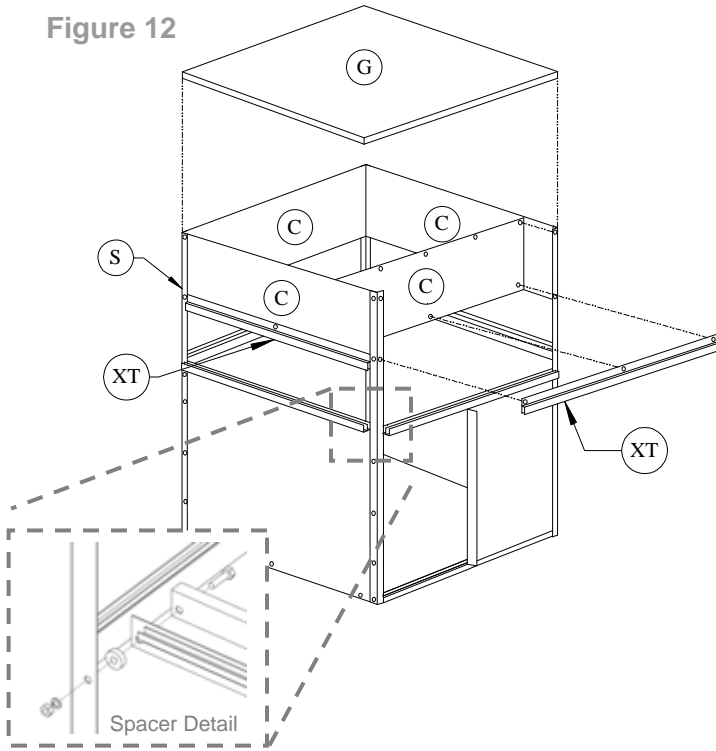


- 8** Attach the door guide (Z) to the exterior of the floor angle using 1/4" x 1" bolts. Note: This is the only time where the bolts should be inserted with the bolt heads facing out. Next, attach the door rib (Y) to the interior side of the door using the remaining 1/4" x 3/4" flathead STOVE bolts. (See Figure 9)

- 10** Install the second white nylon spacer in between the corner post and the LEFT end of the bottom window guide (XB), See Spacer Detail on next page (Fig 12.)

- 11** Install the upper side panels (C) and top window guides (XT) on all sides. See *Figure 12*. Hint: Insert the nail through the top hole on one side of the C panel while installing the middle bolts on each end. Then install the top window guide and work your way around the blind.

Figure 12



- 12** Fit the galvanized roof over the top of the blind. While standing inside the blind, use the 1" black sheet metal screws to attach the roof to the side panels...Note: only install screws through the four corner posts at this time.

- 13** Install the angle roof brace (V) under the roof center and attach to the top (C) panels. Note: The roof brace can be installed either way (side to side or front to back). *Hint*: Install the first screw on the far left or right hole on one end of the bracket, then turn around and install a screw through the opposite hole on the opposite end of the bracket. Now, go back to the original end and install the other remaining black sheet metal screws from inside the blind. Place the lock washers and nuts on the outside of the roof screws and tighten. See *Figure 13*

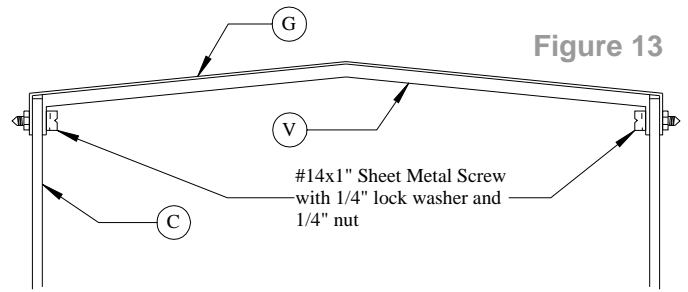
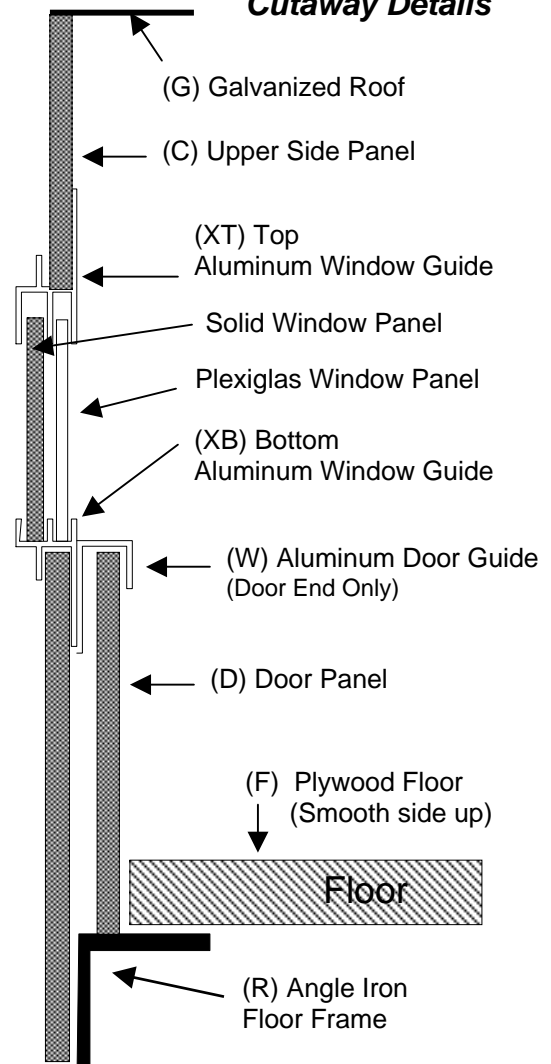


Figure 13

- 14** See insert and install Velcoins on all window panels. Install CLEAR window panels by inserting top edge into the top of the INSIDE track. Install SOLID window panels in the same fashion, in the OUTSIDE window tracks. Note: Windows can be configured in any way you'd like to maximize your visibility while remaining fully hidden from the field of view. **Tighten all nuts and bolts.** Assembly Complete.

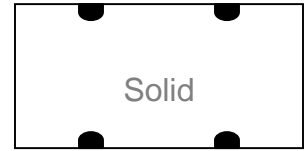
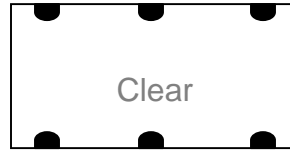
Cutaway Details



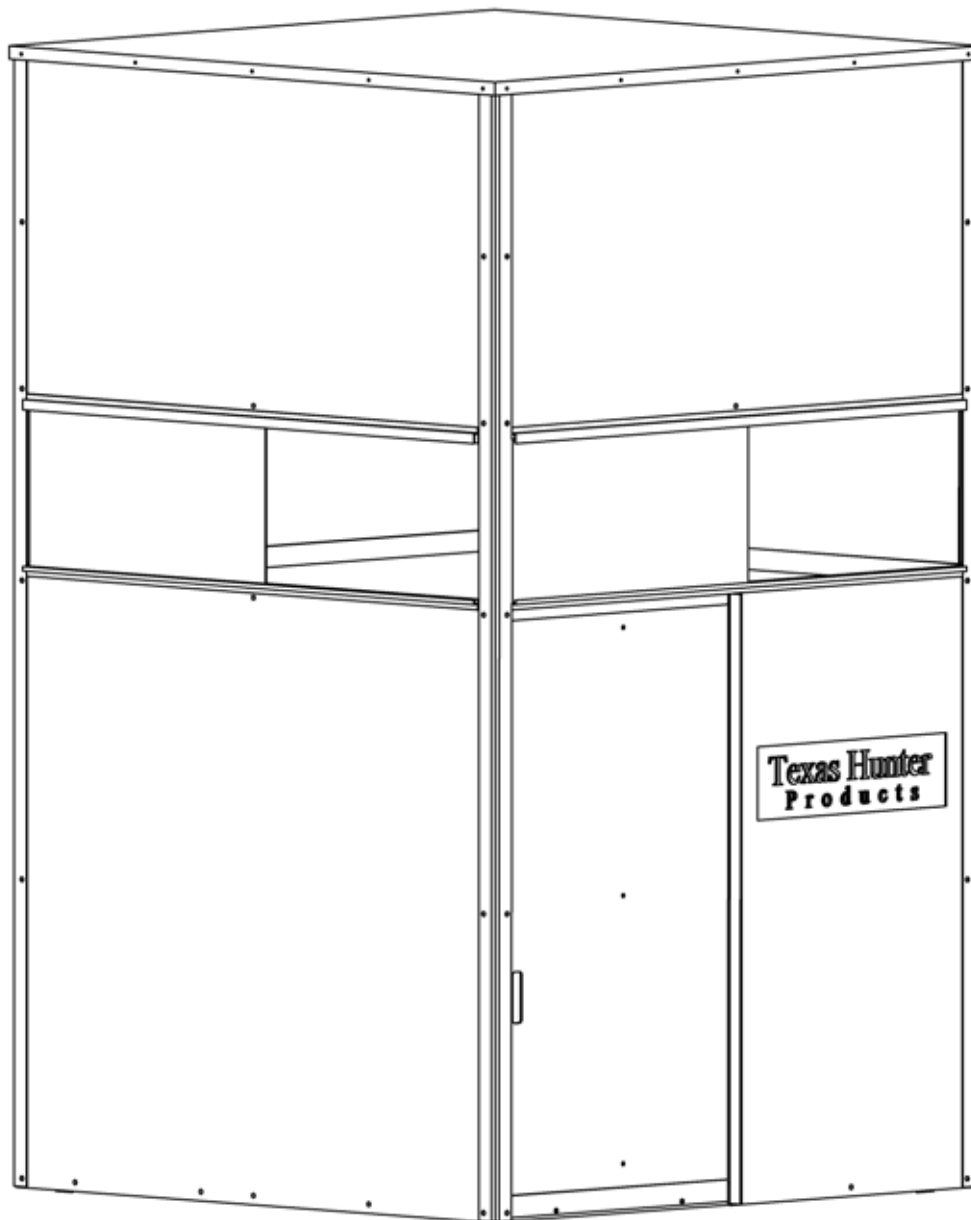
Velcoin Instructions for Window Panels

Install Velcoins on window panels by folding Velcoins evenly over each edge.

CLEAR Panels: use 3 velcoins per top and bottom edges. (One velcoin should be centered and the other two, 2 inches from each end). SOLID Panels: use 2 velcoins per top and bottom, 4 inches from each end.



**Thank you for choosing Texas Hunter Products.
Questions? Call us (800) 969-3337**



Trophy Blind Tie-Down Instructions

No matter which model or where you install your Texas Hunter Trophy Blind you need tie-downs and anchors to keep your blind stable and secure. When strong winds blow, blinds need special protection to prevent tipping and damage.

We recommend a J-hook anchor system with a minimum of 1,000lb rated cable and turnbuckle to secure your blind. Only use anchoring equipment that is weather and corrosion resistant. Installation of the anchors as explained in steps 1-6 below should be done prior to standing-up the blind. Make sure your blind is level before anchoring it to the ground. (Ground blind models use one center J-hook anchor cabled to the legs.)

1. Use the footprint dimensions of the tower to determine anchor placement. Add about 2 feet to those dimensions to create a larger square or rectangle pattern outside the blind footprint. See the chart below.

TOWER BLIND FOOTPRINTS AND CABLE LENGTH (4 Cables needed per Tower Blind)

SINGLE TOWER BLINDS	CABLE LENGTH	DOUBLE BLINDS	CABLE LENGTH
5' DB = 5'-6" SQUARE	10'	5' DDB = 9'-6" X 6'-6"	15'
10' DB = 7'-6" SQUARE	15'	10' DDB = 11'-6" X 7'-6"	20'
15' DB = 9'-6" SQUARE	20'	15' DDB = 13'-6" X 9'-6"	25'

2. Dig four holes just outside each tower leg 30" deep with a 6" diameter, preferably with a post-hole digger to provide a deep, narrow hole.
3. Insert the J-hook in the center of each hole with the "J" end positioned at the bottom of the hole. Note the O-ring at the top of the hook should be approximately 3" above the surface of the ground. You can also use a forged "O" ring, "D" ring or other anchor.
4. Use one bag of ready-mix concrete per hole. (50 to 80 pound bag).
5. Straighten J-hooks to ensure that they are completely surrounded by concrete.
6. Let dry overnight and fill the remainder of the holes with soil (when applicable).
7. Attach the cables as shown, one from each O-ring to the opposite upper corner of the tower (Figure 2). The cables should criss-cross.
8. Attach a turnbuckle to the O-ring at the top of each J-hook as shown.
9. Adjust the tension of each cable until all four cables have tightly secured the blind to the ground. Do not over-tighten.

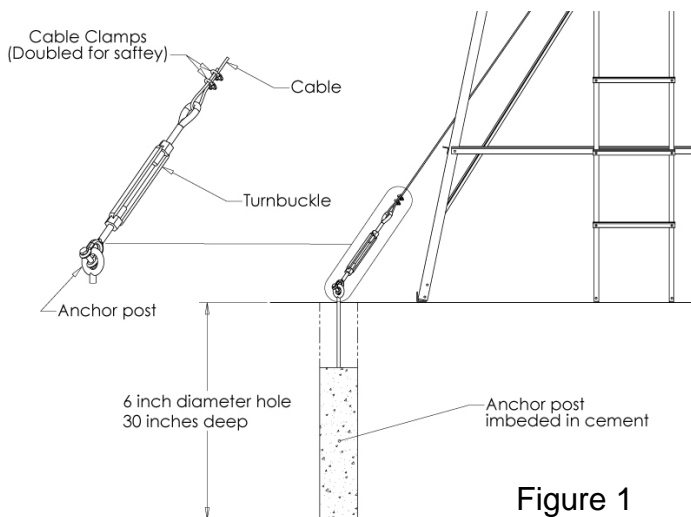


Figure 1

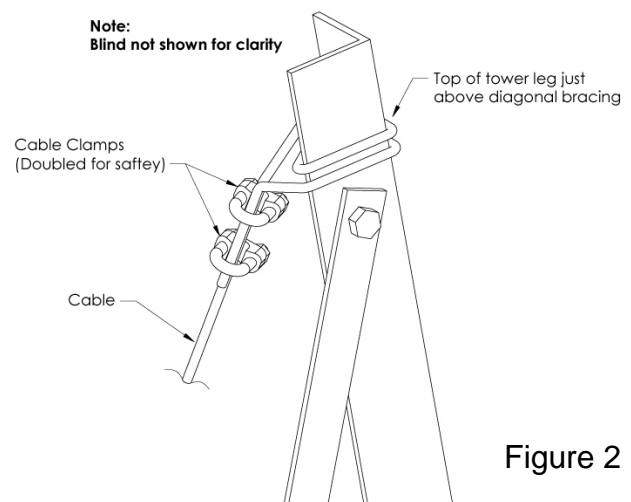


Figure 2