

# TEXAS HUNTER<sup>®</sup>

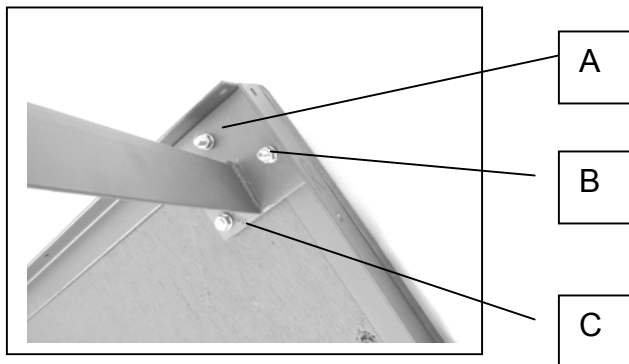
P R O D U C T S



## 18" Leg Installation for Ground Blinds

### Parts List

Qty	Description
12	5/16 X 2 Bolts
32	5/16 Flat Washers
12	5/16 Lock Washers
12	5/16 Nuts
4	1/4 Bolts
4	1/4 Flat Washers
4	1/4 Lock Washers
4	1/4 Nuts
4	Legs
4	Feet



Holes A & B are drilled to align with the holes in the floor frame. Drill a 11/32" hole through the floor to align with hole C. Place the 5/16" flat washer on the 5/16" bolt. Insert the bolt through the floor and leg and then install lock washer and nut provided. Use 5/16" flat washers as spacers between the floor and leg base for bolt C.

Attach the feet by placing a flat washer on the 1/4 bolt and insert the bolt through the foot piece and leg. Install a flat washer, lock washer and nut provided.

Thank you for ordering from Texas Hunter Products. If you have any questions, please call 800-969-3337.