

PARTS LIST FOR 10 FT. TOWER/DOUBLE BLIND

Quantity	Part No	Description
4	L	2" Angle Legs
2	M	1" Angle Bottom Horizontal Brace at Ends
2	N	1" Angle Top Horizontal Brace at Ends
2	MS	1" Angle Bottom Horizontal Brace at Sides
2	NS	1" Angle Top Horizontal Brace at Sides
4	O	1/8" x 3/4" Flat Diagonal Brace at Ends
4	OS	1/8" x 3/4" Flat Diagonal Brace at Sides
2	P	3/4" Angle Ladder Runners
9	Q	3/4" Angle Ladder Rungs
4	J	2" Angle Tower Base/Foot
8	K	Tower Anchor Clips
1	U	Hand Bar
62	Bolt	5/16" x 3/4" Bolt
62	Lock Washer	5/16" Split Lock Washer
62	Nut	5/16" Hex Nut
30	Bolt	1/4" x 3/4" Bolt
30	Lock Washer	1/4" Split Lock Washer
30	Nut	1/4" Hex Nut
4	U Bolt	5/16" u bolts w/Hardware to secure ladder to tower braces

Note: Parts O, OS and MS are tied in a bundle.

USE AT YOUR OWN RISK

Blinds and Towers must be
 Properly assembled and
 Anchored to the ground.

ASSEMBLY INSTRUCTIONS FOR THE 10 FT. TOWER/DOUBLE BLIND

Note: Do not tighten any bolts in the Tower assembly until all bolts are installed.

1. Remove the (K) clips from this package and assemble the blind, being sure to install these clips according to the blind instructions.
2. Lay the blind on its side, protecting it with the cardboard packaging. Position the blind with the door facing to the right or left. Raise the bottom of the blind (floor end only) 10-14 inches off the ground with a support.
3. Attach the (U) handle to the (S) corner post nearest the door opening. Remove the first and second bolts from the bottom of the (S) corner post. Position the (U) handle and attach by reinstalling the bolts. (Fig. 4)

Note: Use 1/4" bolts, nuts & lock washers for all fasteners except these specific parts: All horizontal bracing and all cross bracing attach using 5/16" bolts, nuts & lock washers.

4. Attach the (L) Legs to (K) K-Clips using (M) & (N) Horizontal Bracing as necessary for support. (Fig. 1)
5. Complete the tower by adding all braces as shown. (Fig. 2 & Fig. 3)
6. Attach the (J) Feet as shown. (Fig. 2)
7. Assemble & install the ladder using bolts and U-bolts as pictured. Attach top two holes in ladder runners using existing bolts used to attach the "Z" plate, underneath the blind (opposite the "Z" and behind the angle iron supporting the floor). (Fig. 4)
8. Tighten all bolts/nuts.
9. **After raising the blind/tower into position, it must be anchored.**

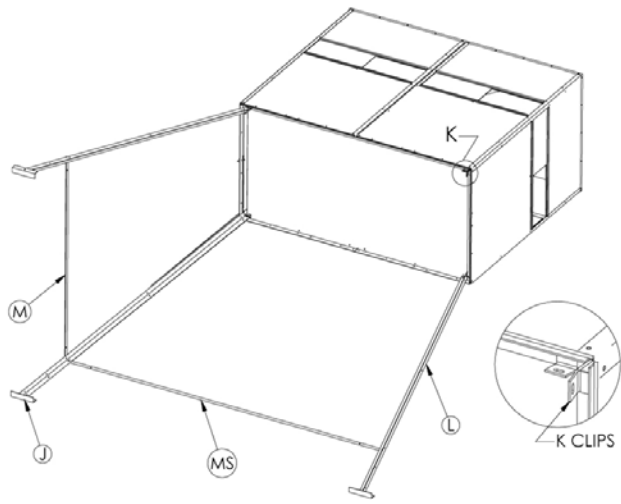


Figure 1

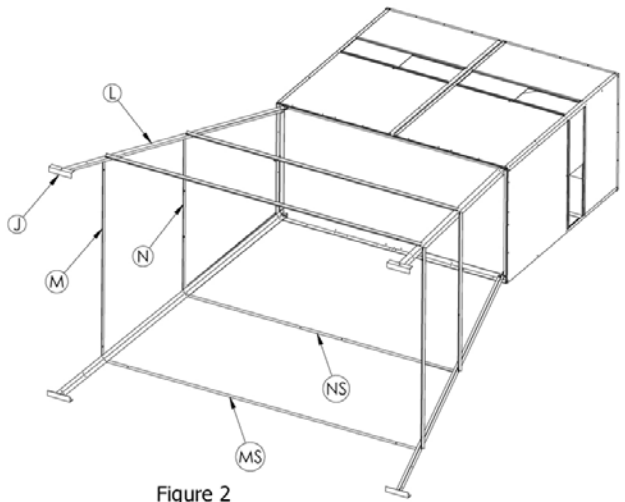


Figure 2

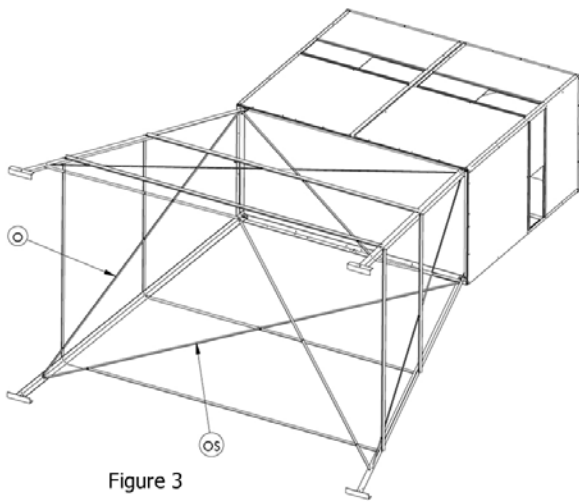


Figure 3

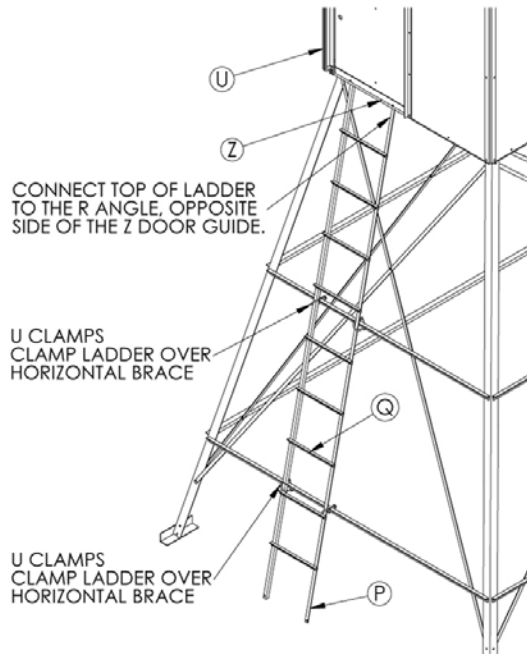
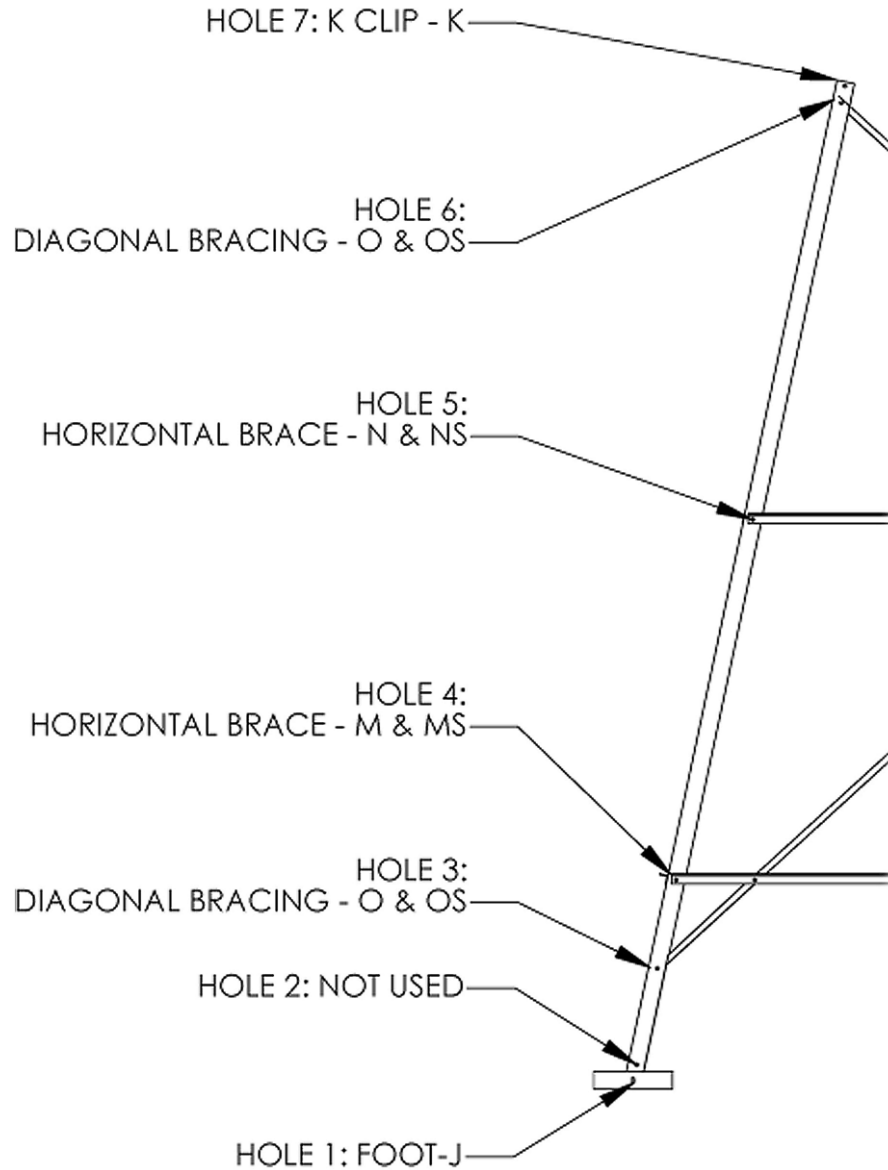


Figure 4

PART ORIENTATION QUICK REFERENCE



PARTS LIST FOR 5 FT. TOWER EXTENSION /DOUBLE BLIND

Quantity	Part No.	Description
4	#1	2" Angle Legs
2	#2	1" Angle Horizontal Braces
2	#2S	1" Angle Horizontal Braces
4	#3	1/8" x 3/4" Flat Diagonal Braces
4	#3S	1/8" x 3/4" Flat Diagonal Braces
5	#4	3/4" Angle Ladder Rungs
2	#5	3/4" Angle Ladder Runners
4	#6	2" Angle Leg Splice
2	#9	1" Angle Ladder Splice
70	Bolt	5/16" Bolt
70	Lock Washer	5/16" Split Lock Washer
70	Nut	5/16" Hex Nut
16	Bolt	1/4" Bolt
16	Lock Washer	1/4" Split Lock Washer
16	Nut	1/4" Hex Nut
2	U Bolt	5/16" u bolts w/Hardware to secure ladder to tower braces

USE AT YOUR OWN RISK

Blinds and Towers must be
 Properly assembled and
 Anchored to the ground.

ASSEMBLY INSTRUCTIONS FOR THE 5 FT. TOWER EXTENSION /DOUBLE BLIND

Note: Do not tighten any bolts in the Tower assembly until all bolts are installed.

10. Build the 10' Tower using the instructions included in its package. Note: Do not install the (J) Feet during the Tower assembly.

Note: Use the 5/16" Bolts, Lock Washers & Nuts as fasteners for the following steps.

11. Attach the (#1) Extension Legs to the (L) Tower Legs using (#6) Leg Splice. Use the (#2 and #2S) Horizontal Bracing as necessary for support. (Fig. 1 & Fig. 2)

12. Attach the (#3 and #3S) Diagonal Bracing to the interior side of the (#1) Extension Legs & the (L) Tower Legs. (Fig. 3)

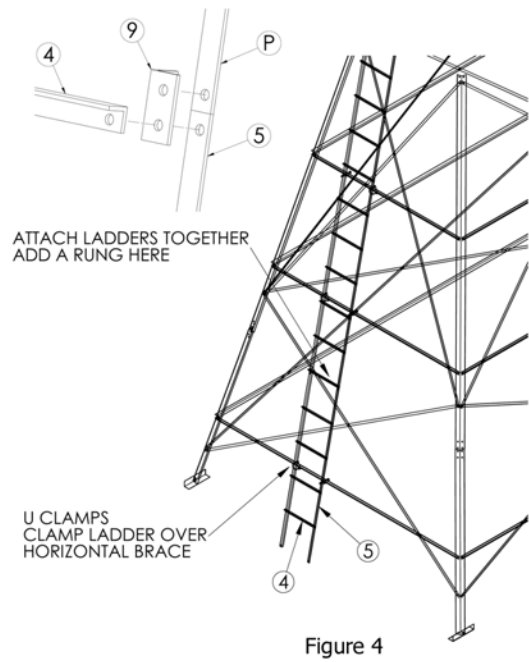
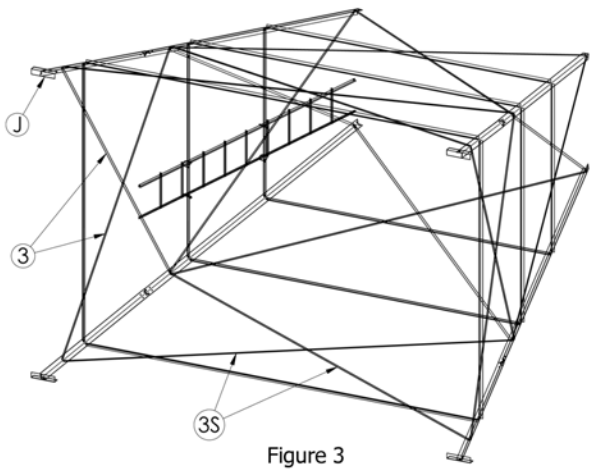
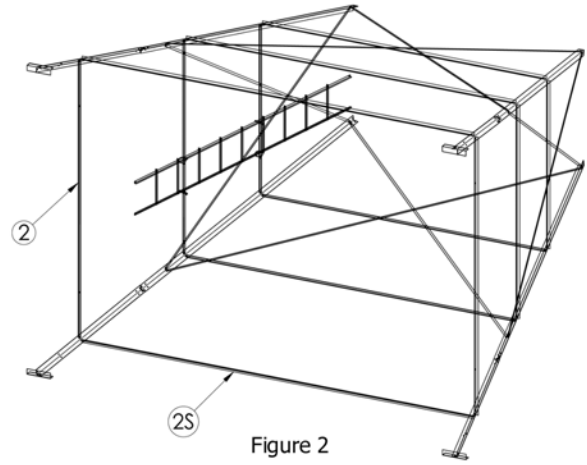
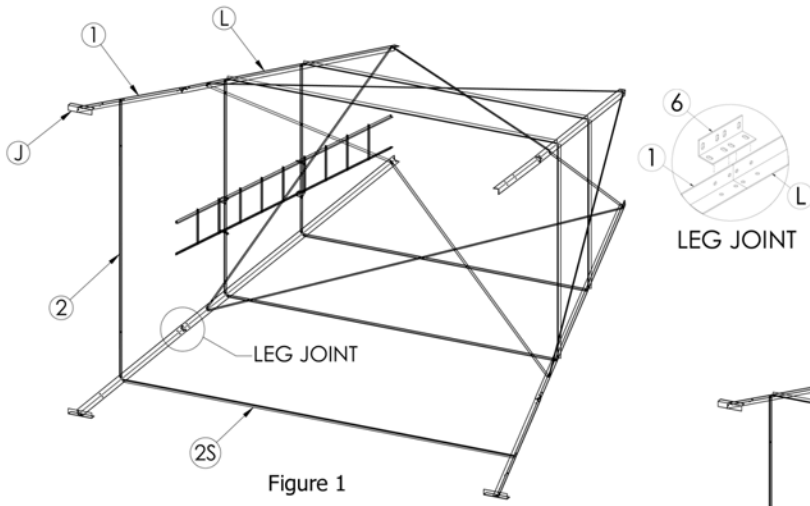
13. Attach the (J) Feet as shown. (Fig 3)

Note: Use the 1/4" Bolts, Lock Washers & Nuts as fasteners for the following steps.

14. Assemble & install the ladder using the (#9) Ladder Splice and U-bolts as pictured. (Fig. 4)

15. Tighten all bolts/nuts.

16. After raising the blind/tower into position, it must be anchored.



PART ORIENTATION QUICK REFERENCE

